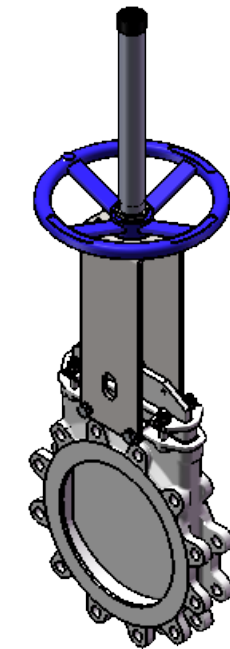
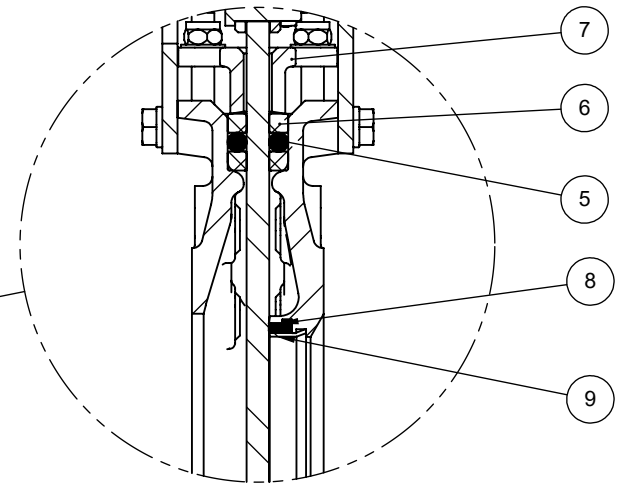



ND (in)	A(in)	B(in)	C(in)	D(in)	E(in)	F(in)	$\phi G$ (in)	H(in)	$\phi K$ (in)	n - UNC	J Gate	$\phi I$ Inlet	$\phi Dp$ Outlet
2	1.9	3.15	3.23	3.85	4.54	2.56	8.86	16.54	4.75	4 - 5/8"	.196	2.067	1.969
3	2	3.15	3.23	4.68	5.42	3.46	8.86	18.5	6.0	4 - 5/8"	.236	3.071	2.878
4	2	3.15	3.23	5.47	8.11	4.33	8.86	20.43	7.5	8 - 5/8"	.315	4.024	3.819
5	2.25	3.15	3.23	5.9	9.11	5.24	8.86	24.13	8.5	8 - 3/4"	.315	5.047	4.606
6	2.25	3.15	3.23	6.5	10.04	6.22	8.86	25.27	9.5	8 - 3/4"	.315	6.067	5.512
8	2.75	5.12	3.98	7.99	12.23	8.07	12.20	32.28	11.75	8 - 3/4"	.394	7.981	7.244
10	2.75	5.12	3.98	9.17	15.34	9.92	16.14	38.81	14.25	12 - 7/8"	.472	10.02	9.055
12	3	5.12	3.98	10.74	18	11.69	16.14	42.16	17.0	12 - 7/8"	.472	11.938	10.827
14	3	5.91	6.69	12.28	19.88	13.31	16.14	49.01	18.75	12 - 1"	.591	13.126	12.008
16	3.5	5.91	6.69	16.66	22.61	15.12	16.14	52.16	21.25	12 - 1"	.591	15	13.843
18	3.5	5.91	6.85	16.33	24.20	16.69	21.65	59.49	22.75	16 - 1 1/8"	.787	16.874	15.362
20	4.5	5.91	6.85	17.71	26.58	18.5	21.65	63.66	25.0	20 - 1 1/8"	.787	18.811	17.126
24	4.5	5.91	6.85	19.72	31.18	21.93	21.65	74.13	29.5	20 - 1 1/4"	.984	22.6265	20.551



ITEM	DESCRIPTION	MATERIAL	QTY
1	BODY	CF8	1
2	GATE	304 SS	1
3	YOKE	304 SS	1
4	STEM	430 SS	1
5	O-RING	EPDM	1
6	PACKING	PTFE	2
7	PACKING GLAND	CF8	1
8	SEAT	EPDM	1
9	SEAT RETAINER	304 SS	1
10	HANDWHEEL	CAST IRON	1
11	STEM PROTECTOR	STEEL	1

**SECTION A-A**  
**SCALE 1 : 6**

Description: SER.20 RESILIENT SEAT					Customer: -		 <b>ORBINOX</b> <small>www.orbinox.com</small> <small>This drawing is property of Orbinex Canada Inc. and it is not to be reproduced nor used in any manner detrimental to our interests.</small>
Drawn	-	HB	Scale: 1:12	Size: B	SO#: -	Product#: 20-3434R1	
Checked	-	JS	Sheet 1 of 1	DIMENSIONS IN MM	Line: Qty:-	TAG#: -	
Approved	-	JS	THIRD ANGLE PROJECTION	Mass(kg / lbs): 45/	Dwg#: 3ET-RESILIENT-KGV	Rev:-	